



High density, three WJ-GXE500 units fit into 1U rack.

4CH H.264 Real-time Network Video Encoder

Key Features

- Full frame H.264 transmission for each 4 channels
- Dual streams of H.264 (High profile) and JPEG at VGA / D1 image size
- Motion adaptive interlace/progressive conversion allows every frame to be clear even when the subject is moving.
- Compensates the picture degradation caused by long-distance cable maintaining clear picture
- Coaxial communication ensures the control of Panasonic PTZ cameras via coaxial cable.
- Open command conversion table for RS-485 ensures the control of various manufacture's PTZ camera.
- SD/SDHC Memory card slot for manual recording, alarm recording, and backup upon network failure (JPEG)
- Camera title display: Up to 16 alphanumeric characters embedded in the image
- Full duplex bi-directional audio allows interactive communication.
- PoE. The power will be supplied by simply connecting a LAN cable. (IEEE802.3af compliant)
- Small size. And can be installed into the rack with mounting brackets. (Option)
- Alarm sources including 3 terminal input, VMD, camera site alarm, video loss, and Panasonic alarm
- VMD (Video Motion Detector) with 4 programmable detection areas
- Face detection detect the position of human face, the information is sent by XML or video stream. (Ch1 only)
- Meta data for VMD is supplied to work with the WJ-ND400 playback VMD function.

- Internet mode: H.264/MPEG-4 images can be transmitted by over HTTP protocol.
- Multi-language GUI and setup menu: English, French, Italian, Spanish, German, Russian (PAL) / English, French (NTSC)
* Installation required except for English
- IPv4/IPv6 protocol supported

Standard Accessories

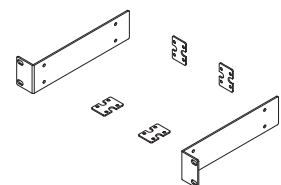
- CD-ROM*1 1 pc.
- Installation Guide 1 pc.
- Code Label*2 1 pc.

*1 The CD-ROM contains the operating instructions (PDFs) and different kinds of tool software programs.

*2 This label may be required for network management. The network administrator shall retain the code label.

Optional Accessory

EIA19 inch Rack Mount Bracket
WV-Q204/2S
(for mounting three WJ-GXE500)

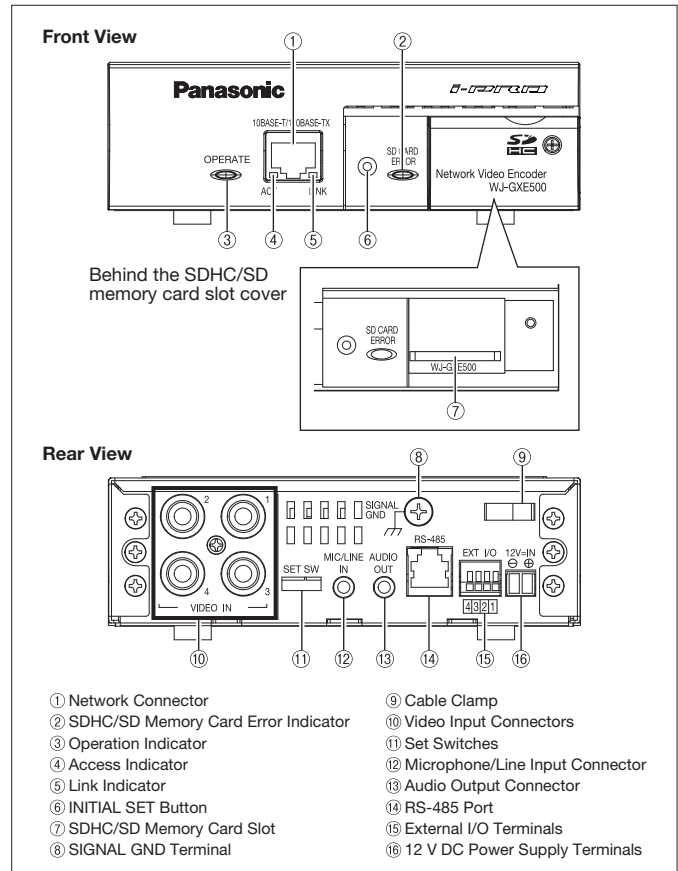


Specifications

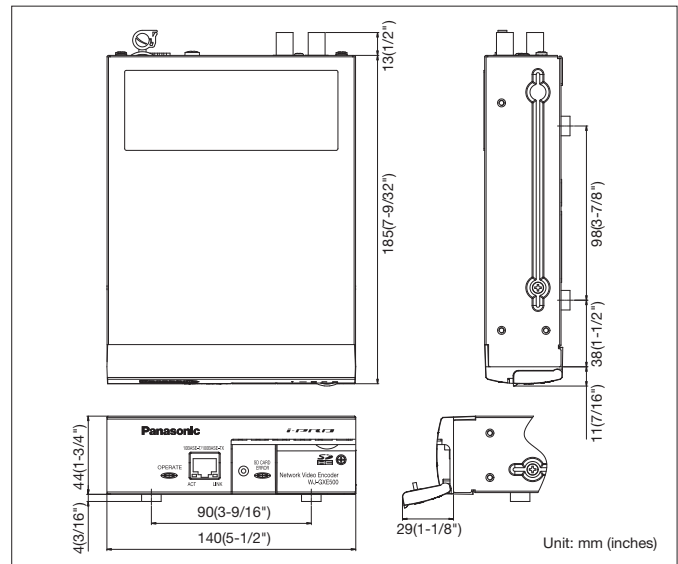
TV System	NTSC	PAL		
Audio/ Video IF	Video Input	4x 1.0 V [p-p] / 75 Ω NTSC composite video inputs (BNC) Multiplexed control data and cable compensation compatible: 1 - 4 CH	4x 1.0 V [p-p] / 75 Ω PAL composite video inputs (BNC) Multiplexed control data and cable compensation compatible: 1 - 4 CH	
	Microphone/Line Input	MIC IN and Line IN are selectable. ø3.5 mm stereo mini jack (monaural input) (Applicable microphone: Plug-in power type) Supply voltage: 2.5 V ±0.5 V Input impedance: approx. 2 kΩ		
	Audio Output	ø3.5 mm stereo mini jack (monaural output) Line level		
Browser GUI	Camera Control	Pan / tilt / zoom / focus / preset positions / auto focus (When using Panasonic P/T/Z cameras)		
	Display Mode	Spot, Quad: Image from 16 cameras can be displayed in 4 different Quad screens (JPEG only). 20 characters camera title available.		
	Unit Title	Up to 20 characters		
	Camera Title (OSD)	Up to 16 characters On/Off		
	Clock Display	Time: 12H/24H, Date: 5 formats on the browser. Summer time (Manual)		
	Alarm Control	Reset		
	One Shot Capture	A still picture will be displayed on a newly opened window.		
	Audio	Mic (Line) Input: ON / OFF Volume adjustment: Low / Middle / High, Audio Output: ON / OFF Volume adjustment: Low/Middle/High		
	SD Memory Data Download	Still or motion Images recorded in the SD/SDHC memory card can be downloaded.		
	GUI/Setup Menu Language	English, French (Installation required for French)	Spanish, German, Russian (Installation required except for English)	
System Log	Up to 100 (Internal), Up to 4,000 (SD memory when the recording format is set to JPEG.) error logs			
Supported OS	Microsoft® Windows® 7 Professional 64 bit/32 bit, Microsoft® Windows Vista® Business SP1 32 bit, Microsoft® Windows® XP Professional SP3 The language of the OS must be same as selected GUI language.			
Supported Browser	Windows® Internet Explorer® 8.0 32 bit (Microsoft® Windows® 7 64 bit/32bit), Windows® Internet Explorer® 7.0 (Microsoft® Windows Vista® Business SP1 32 bit), Microsoft® Internet Explorer® 6.0 SP3 (Microsoft® Windows® XP Professional SP3)			
Network	Network IF	10Base-T / 100Base-TX, RJ-45 connector		
	Image Resolution	VGA mode: VGA (640 x 480) / QVGA (320 x 240) D1 mode: D1 (720 x 480)	VGA mode: VGA (640 x 480) / QVGA (320 x 240) D1 mode: D1 (720 x 576)	
	H.264/ MPEG-4*	Transmission Mode	Constant bitrate / Framerate priority	
		Frame Rate	1 / 3 / 5 / 7.5 / 10 / 15 / 20 / 30 fps	1 / 3.1 / 4.2 / 6.25 / 8.3 / 12.5 / 20 / 25 fps
		Bit Rate/Client	64 / 128 / 256 / 384 / 512 / 768 / 1,024 / 1,536 / 2,048 / 3,072 / 4,096 kbps / Unlimited	
		Image Quality	Low / Normal / Fine	
	Refresh Interval	0.2 / 0.33 / 0.5 / 1 / 2 / 3 / 4 / 5 s		
	Transmission Type	UNICAST / MULTICAST		
	JPEG	Image Quality	10 steps	
		Refresh Interval	0.1 fps ~ 30 fps (JPEG frame rate will be restricted when displaying both JPEG and H.264/MPEG-4 images.)	0.08 fps ~ 25 fps (JPEG frame rate will be restricted when displaying both JPEG and H.264/MPEG-4 images.)
	Transmission Type	PULL / PUSH		
	Audio Compression	G.726 (ADPCM), 32 kbps / 16 kbps, CH1 only.		
	Audio Mode	OFF / Mic (Line) input / Audio output / Interactive (Half duplex) / Interactive (Full duplex)		
	Authentication for Audio	Level 1 only / Level 2 higher / All users		
	Total Bit Rate	64 / 128 / 256 / 384 / 512 / 768 / 1,024 / 2,048 / 4,096 / 8,192 kbps / Unlimited		
Supported Protocol	IPv6: TCP/IP, UDP/IP, HTTP, RTP, FTP, SMTP, DNS, NTP, SNMP IPv4: TCP/IP, UDP/IP, HTTP, RTSP, RTP, RTP/RTCP, FTP, SMTP, DHCP, DNS, DDNS, NTP, SNMP			
FTP Client	Periodic image transfer, Alarm image transfer (When the FTP transmission is failed, backup on an optional SDHC/SD memory card is available.)			
No. of Simultaneous Users	Up to 16 users (Depends on network conditions)			
SDHC/SD Memory Card (Option)	Alarm REC / Backup upon network failure / Manual REC (JPEG only) Compatible SD (SDHC) card: Panasonic 256 MB, 512 MB, 1 GB, 2 GB, 4 GB*, 8 GB*, 16 GB*, 32 GB* model * SDHC card			
Face Detection	On / Off (with XML notification) (Ch1 only)			
Alarm	Alarm Source	3 terminal input, VMD, Command alarm, Camera site alarm, Video loss alarm		
	Alarm Action	SDHC/SD memory recording, E-mail notification, Alarm terminal output, Indication on browser, FTP image transfer, Panasonic protocol output		
	Alarm Log	With SDHC/SD memory card: 5,000 logs, without SDHC/SD memory card: 1,000 logs		
Input/ Output	Terminal	Terminal 1: Alarm input, Terminal 2: Alarm input/Alarm output, Terminal 3: Alarm input/Alarm output/AUX output		
	RS-485 Port	1x RS-485 (RJ-11, 4 wire / 2 wire, Full/Half duplex. Open command conversion table for Other manufacturer's PTZ camera)		
General	Safety/EMC Standard	UL (UL60065), FCC (Part15 ClassA), C-UL (CAN/CSA C22.2 No.60065), DOC (ICES003 ClassA)	CE (EN55022, ClassB, EN55024)	
	Power Source and Power Consumption	12 V DC: 500 mA, PoE (IEEE802.3af): 6 W (Class 0 device)		
	Ambient Operating Temperature	-10 °C ~ +50 °C (14 °F ~ 122 °F)		
	Ambient Operating Humidity	90 % or less (without condensation)		
	Dimensions	140 mm (W) x 44 mm (H) x 185 mm (D) (5-1/2" x 1-3/4" x 7-9/32") (excluding rubber feet and projections)		
	Weight (approx.)	1.0 kg (2.21 lbs.)		

* H.264 and MPEG-4 are alternative.

Part Names and Functions



Appearance



Trademarks and registered trademarks

– Microsoft, and Windows are registered trademarks of Microsoft Corporation in the U.S. and other countries.
– "Super Dynamic", "SDII", "SDIII", "SD5", "SD5Link", "i-PRO" and "i-PRO SmartHD" logos are trademarks or registered trademarks of Panasonic Corporation.

Important

– Safety Precaution: carefully read the operating instructions and installation manual before using this product.
– Panasonic can not be responsible for network performance and/or other manufacturer products that reside on the network.

- All TV pictures are simulated.
- Weights and dimensions are approximate.
- Specifications are subject to change without notice.
- These products may be subject to export control regulations.
- All product pictures are NTSC models.

DISTRIBUTED BY:

Panasonic

<http://panasonic.net/security/>

Printed in Japan (2A-056AL)